

Light is OSRAM

HMI® DIGITAL

Les nouvelles lampes HMI® DIGITAL remplacent les lampes HMI®SE UVS



Lampes haute performance extrêmement brillantes !

- Des lampes robustes et sans scintillement pour une performance haute et constante sur scène. Elles sont adaptées aux films numériques et analogiques et remplaceront les séries HMI Directors Series et HMI UVS.

Avantages et fonctionnalités :

- Pour la production de film analogique et numérique
- Température de couleur de 6000 K (lumière du jour)
- Indice de rendu des couleurs élevées >90 (couleurs réelles)
- Extrêmement lumineuse jusqu'à 100 lm / W
- Réduction des émissions UV jusqu'à 99,9% (UV stop)
- Dimmable
- Redémarrage à chaud
- Conception et stabilité améliorées
- Tiges robustes, moins de casse pendant le transport
- Construction permettant une meilleure distribution de la chaleur et du courant pour allonger la durée de vie (6000 - 18000 W)
- L'emballage résiste aux éclaboussures et est réutilisable pour un transport en toute sécurité (6000 - 18000 W)

Les nouvelles références

Nouvelle lampe	Nouvelle référence	Ancienne lampe	Ancienne référence	Date de lancement
HMI DIGITAL 200W	4052899984110	HMI 200W/SE UVS GZY9.5 10X1 OSRAM	4052899152618	janv-18
HMI DIGITAL 400W	4052899984127	HMI 400W/SE UVS GZZ9.5 10X1 OSRAM	4052899152632	janv-18
HMI DIGITAL 575W	4052899984134	HMI 575W/SEL UVS G22 10X1 OSRAM	4052899152656	janv-18
HMI DIGITAL 800W	4052899984141	HMI 800W/SEL UVS G22 10X1 OSRAM	4052899087125	janv-18
HMI DIGITAL 1200W	4052899984196	HMI 1200W/SEL UVS G38 VS1 OSRAM	4052899152670	janv-18
HMI DIGITAL 1800W	4052899984202	HMI 1800W/SE UVS G38 VS1 OSRAM	4052899152694	janv-18
HMI DIGITAL 2500W	4052899984295	HMI 2500W/SE XS G38 1X1 OSRAM	4050300284293	avr-18
HMI DIGITAL 4000W	4052899984301	HMI 4000W/SE XS 1X1 OSRAM	4008321244314	juil-18

Nous vous informons que toutes les commandes en cours basculeront automatiquement sur les nouvelles références.

Nous restons à votre disposition pour tout renseignement.
L'équipe Marketing PIA (Professional and Industrial Applications)
info.display-optic@osram.fr

Light is OSRAM

Les fiches techniques

Technical Information

No. DO 4319

Edition: 11/2017- subject to change

Supersedes: Edition 08/04

Status: valid

Metal Halide Lamp

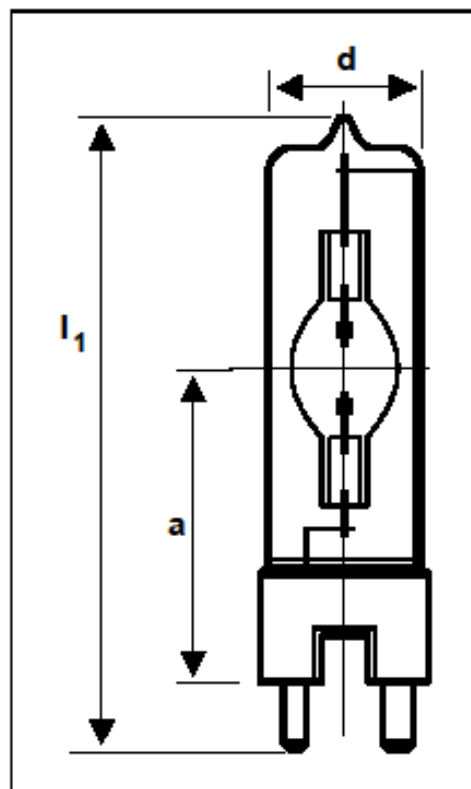
HMI® DIGITAL 200W

■ Product description

The OSRAM HMI® DIGITAL 200W is a metal halide lamp with outer jacket. Due to its compact design and the high output a high system efficacy is achieved. The lamp stands pinch temperatures up to 350°C. New outer bulb material reduces UV emissions down to 0.1%. This lamp type is mainly used in film, theatre and TV lighting applications.

■ Technical data

Order reference	HMI®	DIGITAL 200W
Rated lamp wattage	W	200
Rated lamp voltage	V	69 ± 10
Rated lamp current (square wave)	A	2.9
Ignition voltage (cold, kHz Ign.)	kVs	5
Ignition voltage (cold/hot, MHz Ign.)	kVs	6 / 20 (max. 25)
Luminous flux	lm	16,000
Luminous efficacy	lm/W	80
Color temperature	K	6,900
Color rendering index	Ra	> 90
Electrode gap e	mm	5
Lamp length (overall) l ₁	mm	max. 80
Bulb diameter d	mm	max. 20 (12,5)
LCL a	mm	39
Average service life	h	200
Base		GZY 9.5



■ Lamp operation

Maximum pinch seal temperature allowed	°C	350
Cooling		Convection
Burning position		Any

The HMI® DIGITAL 200W can be used only on electronic control gears (ECG) especially for flicker-free operation.

■ Manufacturers of igniters and control gear (not all officially approved by OSRAM)

Igniters:	I.R.E.M. AD-825; Mitronic ZGV 125-F2; Walker SA-200-i1; Bauch 252; Gossen ZG 0, ZG 1, Hansmann ER 200-17 and ERF 200-17-L
ECGs:	De Sisti DEB 200; Gossen C 39, AC 200; Kobold NE 200N; Lightmaker T.L. 200; ARRI 200 EB; Mitronic PE 400-20; Panther FLIB 200; RDS MT-200 DC; Walker HMI 200; Schiederwerk EVG 2-20

Further information on operating and control gears requirements is available with the OSRAM brochure "Guidelines for Control Gear and Igniters - Metal Halide Lamps Photo Optics", order reference 123T01E.

Light is OSRAM

Technical Information

No. DO 4529

Edition: 11/2017 - subject to change

Supersedes: Edition 08/04

Status: valid

Metal Halide Lamp**HMI® DIGITAL 400W****■ Product description**

The OSRAM HMI® DIGITAL 400W is a metal halide lamp with outer jacket. Due to its compact design and the high output a high system efficacy is achieved. The lamp stands pinch temperatures up to 350°C. New outer bulb material reduces UV emissions down to 0.1%. This lamp type is mainly used in film, theatre and TV lighting applications.

■ Technical data

Order reference	HMI	DIGITAL 400W
Rated lamp wattage	W	400
Rated lamp voltage	V	75 ± 10
Rated lamp current (~)	A	5.3
Ignition voltage (cold, kHz-ign.)	kV _s	5
Ignition voltage (cold/hot, MHz-ign.)	kV _s	8 / 20 (max. 25)
Luminous flux	lm	32,500
Luminous efficacy	lm/	81
Color temperature	K	6,700
Color rendering index	Ra	> 90
Light arc length	mm	8
Lamp length (overall) l ₁	mm	max. 110
Bulb diameter d	mm	max. 23
LCL a	mm	60
Average service life	h	850
Base		GZZ 9.5

■ Lamp operation

Maximum pinch seal temperature allowed	°C	350
Cooling		Convection
Burning position		any

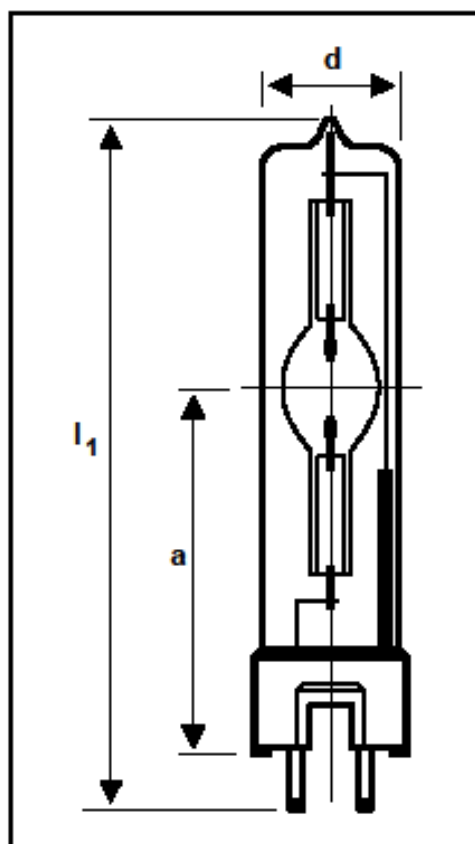
The HMI® DIGITAL 400W can be used only on electronic control gears (ECG) especially for flicker-free operation.

■ Manufacturers of igniters and control gear (not all officially approved by OSRAM)

Igniters: Bauch 210, 212; Hansmann ER 400; Mitronic ZGV 40-11

ECGs: ARRI 400/575 EB; LEJ ebm 400; Mitronic PE 400; Schiederwerk EVG 5-40

Further information on operating and control gears requirements is available with the OSRAM brochure "Guidelines for Control Gear and Igniters - Metal Halide Lamps Photo Optics", order reference 123T01E.



Light is OSRAM

Technical Information

No. DO 4931

Edition: 11/2017 - subject to change without notice

Supersedes: Edition 08/04

Status: valid

Metal Halide Lamp**HMI® DIGITAL 575W****■ Product description**

The OSRAM HMI® DIGITAL 575W is a metal halide lamp with outer jacket. Due to its compact design and the high output a high system efficacy is achieved. The lamp stands pinch temperatures up to 350°C. New outer bulb material reduces UV emissions down to 0.1%. This lamp type is mainly used in film, theatre and TV lighting applications.

■ Technical data

Order reference	HMI®	DIGITAL 575W
Rated lamp wattage	W	575
Rated lamp voltage	V	94
Rated lamp current (~)	A	6.1
Ignition voltage (cold, kHz-ign.)	kV _s	5.0
Ignition voltage (cold/hot, MHz-ign.)	kV _s	10 / 20 (max. 25)
Luminous flux	lm	49,000
Luminous efficacy	lm/W	85
Color temperature	K	6,400
Color rendering index	Ra	> 90
Light arc length	mm	7
Lamp length (overall) l ₁	mm	max. 145
Bulb diameter d	mm	max. 30
LCL a	mm	70
Average service life	h	1,000
Base		G22

■ Lamp operation

Maximum pinch seal temperature allowed	°C	350
--	----	-----

Cooling	Convection
---------	------------

Burning position	any
------------------	-----

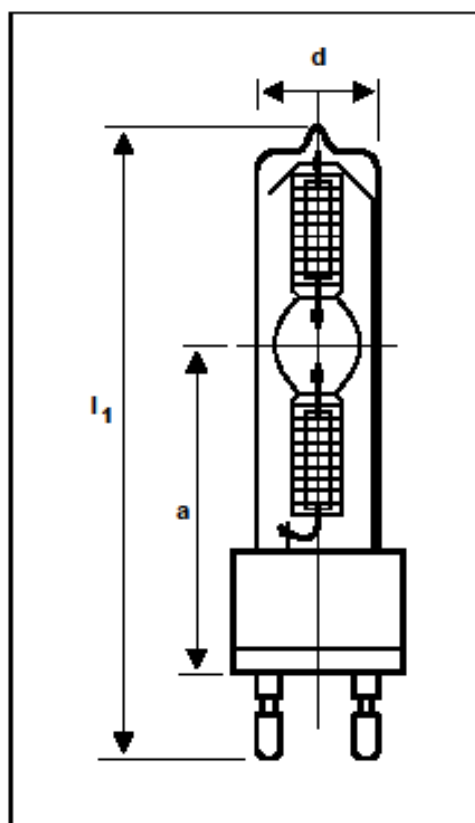
The HMI® DIGITAL 575W can be used only on electronic control gears (ECG) especially for flicker-free operation.

■ Selection of ignitors and control gear (not all officially approved by OSRAM)

Ignitors: ERC 640032; I.R.E.M. AD-825, sAD-825; Mitronic ZGV 40-11; Walker SA-575-i2; Bauch 210, 252; Gossen ZG 0 and ZG 1; Hansmann ZG 500 PRO and ZG 501 PRO

ECGs: B&S EB 575; Gossen C 37, AC 575; Mitronic PE 400-575, PE 575 MN, PFPE60 Line; ARRI 400/575 EB; 575/1200 EBB/EB DMX; Walker 575, SC 575/1200; Hansmann ER/ERF 575

Further information on operating and control device requirements is available with the OSRAM brochure "Guidelines for Control Gear and Igniters - Metal Halide Lamps Photo Optics", order reference 123T01E



Light is OSRAM

Technical Information

No. DO 4931

Edition: 11/2017 - subject to change without notice

Supersedes: Edition 08/12

Status: In work

Metal Halide Lamp**HMI® DIGITAL 800W****■ Product description**

The OSRAM HMI® DIGITAL 800W is a metal halide lamp with outer jacket. Due to its compact design and the high output a high system efficacy is achieved. The lamp stands pinch temperatures up to 350°C. New outer bulb material reduces UV emissions down to 0.1%. This lamp type is mainly used in film, theater and TV lighting applications.

■ Technical data

Order reference	HMI®	DIGITAL 800W
Rated lamp wattage	W	800
Rated lamp voltage	V	95
Rated lamp current (~)	A	8.4
Ignition voltage (cold/hot, MHz-ign.)	kVs	5 / 20 (max. 25)
Luminous flux	lm	69,000
Luminous efficacy	lm/W	86
Color temperature	K	6,300
Color rendering index	Ra	> 90
Light arc length	mm	7
Lamp length (overall) l_1	mm	max. 145
Bulb diameter d	mm	max. 30
LCL a	mm	70
Average service life	h	1000
Base		G22

■ Lamp operation

Maximum pinch seal temperature allowed	°C	350
--	----	-----

Cooling	Convection
---------	------------

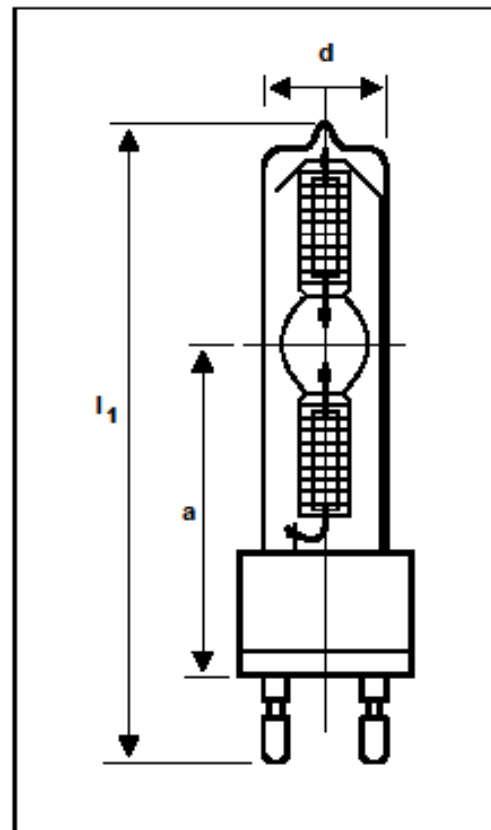
Burning position	any
------------------	-----

The HMI® DIGITAL 800W can be used only on electronic control gears (ECG) especially for flicker-free operation.

■ Selection of ignitors and control gear (not all officially approved by OSRAM)

Ignitors:	Schiederwerk KZG 15-5
ECGs:	Schiederwerk EVG 7, Schiederwerk EVG 12

Further information on operating and control device requirements is available with the OSRAM brochure "Guidelines for Control Gear and Ignitors - Metal Halide Lamps Photo Optics", order reference 123T01E



Light is OSRAM

Technical Information

No. DO 5280

Edition: 11/2017 - subject to change

Supersedes: 04/05

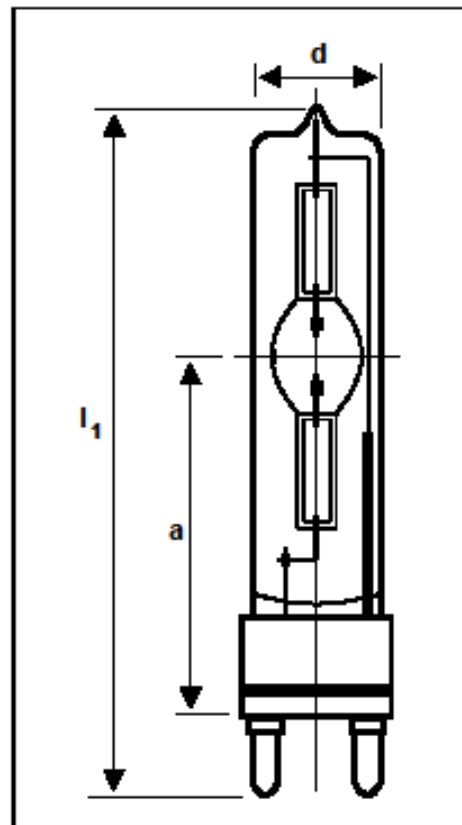
Status: valid

Metal Halide Lamp**HMI® DIGITAL 1200W****■ Product description**

The OSRAM HMI® DIGITAL 1200W is a metal halide lamp with outer jacket. Due to its compact design and the high output a high system efficacy is achieved. The lamp stands pinch temperatures up to 450°C. New outer bulb material reduces UV emissions down to 0.1%. This lamp type is mainly used in film, theatre and TV lighting applications.

■ Technical data

Order reference	HMI® DIGITAL 1200W
Rated lamp wattage	W 1.200
Rated lamp voltage	V 100
Rated lamp current (~)	A 12.0
Ignition voltage (cold, kHz-Ign.)	kVs 5.0
Ignition voltage (cold/hot, MHz-Ign.)	kVs 12 / 25 (max. 35)
Luminous flux	lm 110,000
Luminous efficacy	lm/W 92
Color temperature	K 8,800
Color rendering index	Ra > 90
Light arc length	mm 10
Lamp length (overall) l_1	mm max. 200
Bulb diameter d	mm max. 42
LCL a	mm 107
Average service life	h 1,000
Base	G38

**■ Lamp operation**

Maximum pinch seal temperature allowed	°C 450 / with eXtreme Seal Technology (measured at welding point)
Cooling	Convection
Burning position	any

The HMI® DIGITAL 1200W can be used only on electronic control gears (ECG) especially for flicker-free operation.

■ Manufacturers of igniters and control gear (not all officially approved by OSRAM)

Igniters:	ERC 640032; I.R.E.M. AD-1550, sAD-1550; Mitronic ZG 1200; Walker SA-1200-i3; Bauch 244, 242; Hansmann MBS 1200 Set
ECGs:	B&S EB 1200C; De Sisti DEB 1200; LTM A519; Lumo Super 1.2; Mitronic PE1k2 line, PFPE12 line; RDS EB-1200; Sachtler Netronic 1200; Sansha SG-1200; Walker HMI 575, SC 575/1200; Schiedenwerk EVG 12-12; ARRI 575/1200 EBB / EB DMX

Further information on operating and control device requirements is available with the OSRAM brochure "Guidelines for Control Gear and Igniters - Metal Halide Lamps Photo Optics", order reference 123T01E.

Light is OSRAM

Technical Information

No. 5701

Edition: 11/2017 - subject to change

Supersedes: 07/17

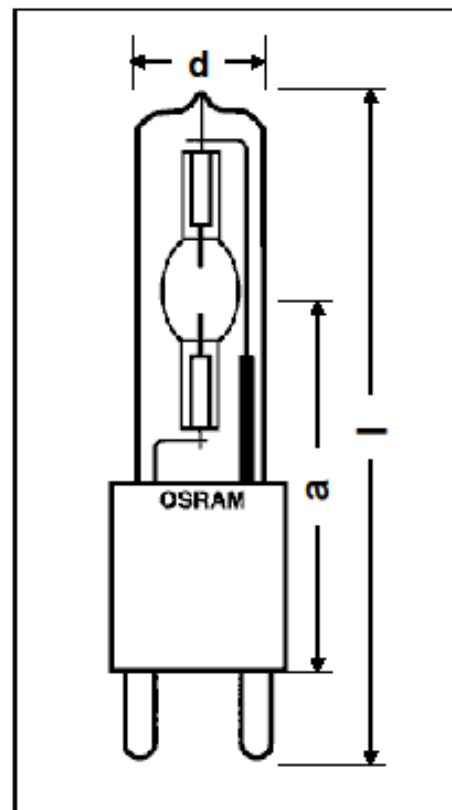
Status: valid

Metal Halide Lamp**HMI® DIGITAL 1800W****■ Product description**

The OSRAM HMI® DIGITAL 1800W is a metal halide lamp with outer jacket. Due to its compact design and the high output a high system efficacy is achieved. The lamp stands pinch temperatures up to 450°C. New outer bulb material reduces UV emissions down to 0.1%. This lamp type is mainly used in film, theatre and TV lighting applications.

■ Technical data

Order reference	HMI® DIGITAL 1800W	
Rated lamp wattage	W	1800
Rated lamp voltage	V	140
Rated lamp current (~)	A	12.9
Ignition voltage (cold/hot)	kV _s	5 / 35 (max. 40)
Luminous flux	lm	165,000
Luminous efficacy	lm/W	92
Color temperature	K	6,500
Color rendering index	Ra	> 90
Light arc length	mm	13.5
Lamp length (overall) l ₁	mm	max. 200
Bulb diameter d	mm	max. 42
LCL a	mm	107
Average service life	h	750
Base	G38	

**■ Lamp operation**

Maximum pinch seal temperature allowed	°C	450 / with eXtreme Seal Technology (measured at welding point)
Cooling	Convection	
Burning position	any	

The HMI® DIGITAL 1800W can be used only on electronic control gears (ECG) especially for flicker-free operation.

■ Manufacturers of igniters and control gear (not all officially approved by OSRAM)

Ignitor:	Schiederwerk HZG 15-35 E
EVG:	ARRI EB 1200/1800, Schiederwerk PVG 25-18

Further information on operating and control device requirements is available with the OSRAM brochure "Guidelines for Control Gear and Igniters - Metal Halide Lamps Photo Optics", order reference 123T01E.